

Rope Locks

- One piece ASTM A536 ductile iron body
- 10" (254 mm) handle, powder-coated ductile iron, contoured for comfort and ease of use
- Two iron cams grip rope with socket head adjustment screw for 5/8"-1" (16-25 mm) rope; adjustment screw has a nylon tip for quiet operation
- Integral ears for optional padlock
- Vinyl coated steel oval locking ring
- Rubber pad to quiet handle when it is opened
- Three-year warranty against defects in materials or workmanship is provided on all J.R. Clancy equipment, additional warranty information is available at jrclancy.com

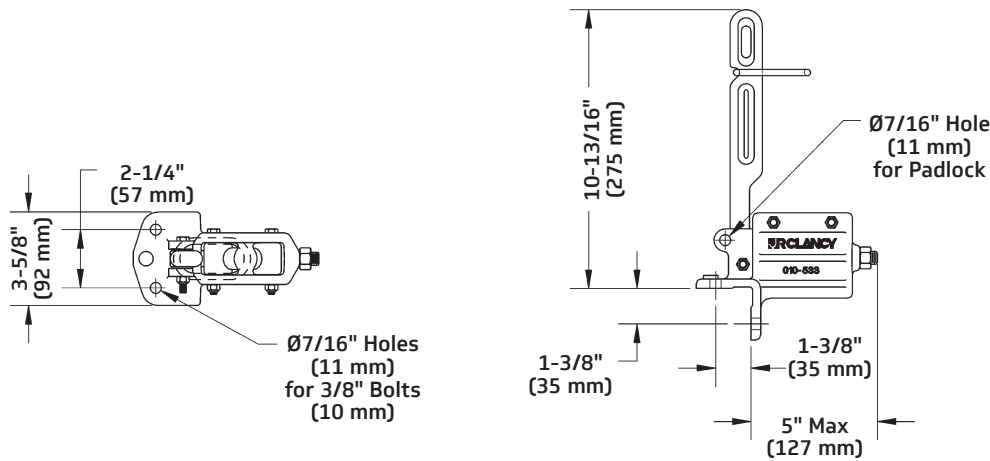
Please note:

Rope locks are not designed to hold an imbalance of more than 50 lb (22.6 kg), nor to be used as a speed control.



**Rope Lock
010-533R**

Dimensions



Order Information

Number	Description	RWL	Weight
010-533R	Rope Lock	50 lb (22.6 kg)	8 lb (3.6 kg)
010-PLOCK	Padlock for Rope Lock	-	0.5 lb (0.23 kg)
110-533C	Replacement Oval Ring, Vinyl Coated	-	0.1 lb (0.04 kg)

RWL: RWL is maximum load that can be applied to the rope lock which is in "like new" condition and has been properly installed, maintained, and operated.

